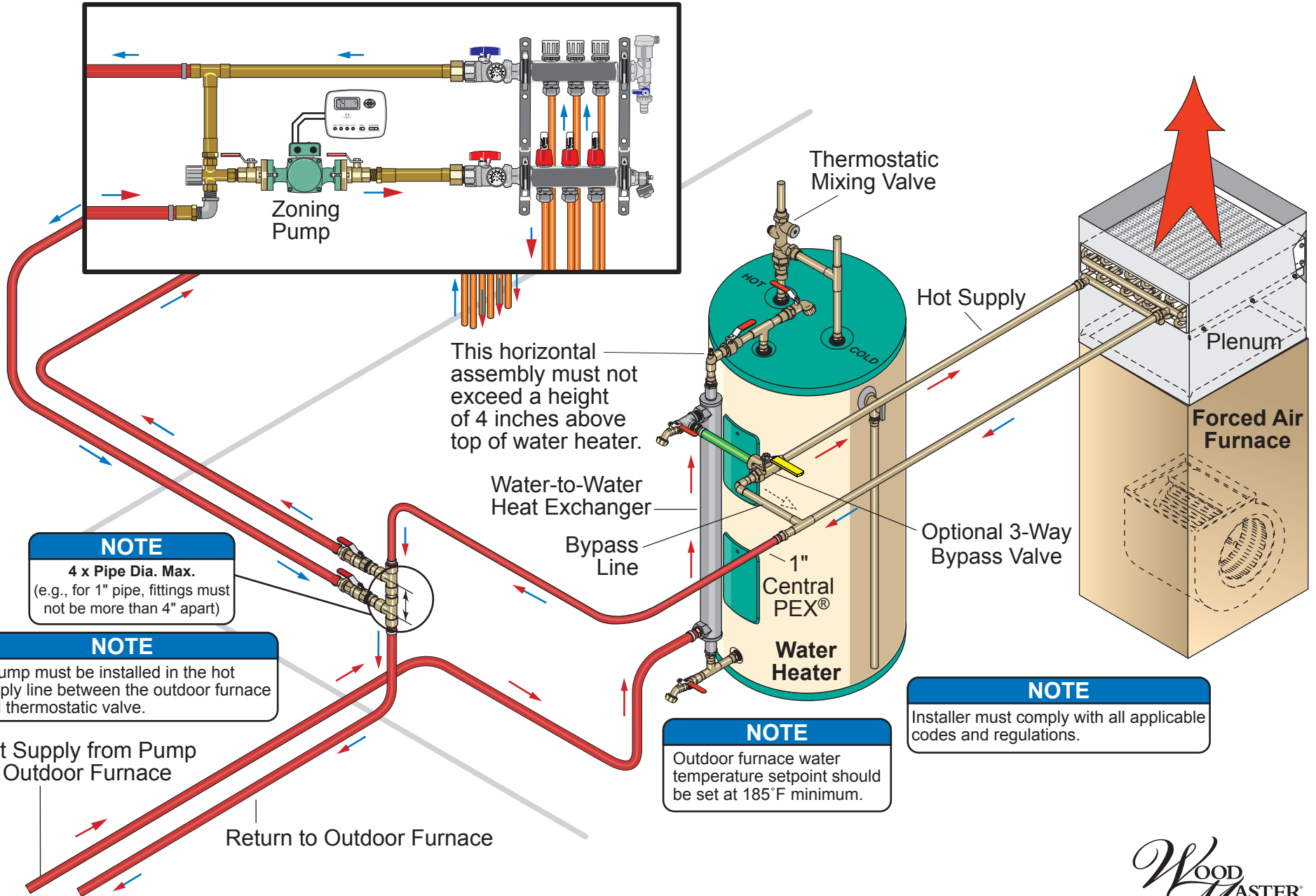


NOTE

If heating loops are above manifolds, additional controls (e.g. zone valve or flow check) may be needed to prevent ghost flow (see Radiant Heat with Flow-Check Valve illustration).

- For illustration purposes only:
- Water heater styles may vary.
 - Size of incoming line may vary (depending on application).
 - Location of thermostat may vary.

Dual System (In Floor Radiant / Forced Air)



NOTE

4 x Pipe Dia. Max.
(e.g., for 1" pipe, fittings must not be more than 4" apart)

NOTE

A pump must be installed in the hot supply line between the outdoor furnace and thermostatic valve.

Hot Supply from Pump
on Outdoor Furnace

Return to Outdoor Furnace

NOTE

Outdoor furnace water temperature setpoint should be set at 185°F minimum.

NOTE

Installer must comply with all applicable codes and regulations.