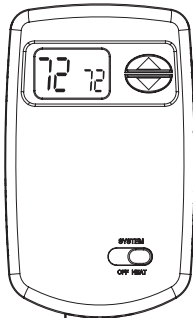


Single Thermostat (with Aquastat)

Existing
24V Thermostat



Disconnect wire from “W” terminal on forced air furnace and connect it to the “R” terminal on aquastat. Connect a wire to “W” terminal on forced air furnace and to the “B” terminal on aquastat. Connect a wire to “G” terminal on forced furnace and to the “W” terminal on aquastat.

Existing thermostats may vary in style. This is an example illustration only.

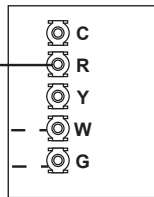
NOTE

This is one of several possible variations using an existing thermostat. If air conditioning is present, the air conditioner breaker may have to be shut off or a relay installed.

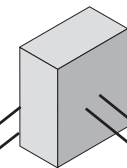
NOTE

Any electrical installation should be done by a qualified installer in accordance with applicable codes.

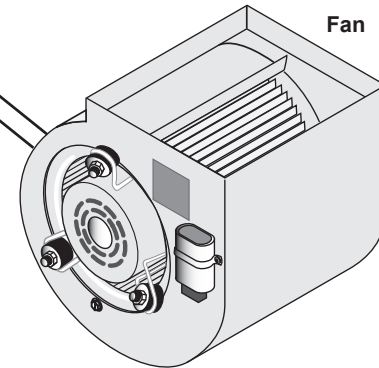
Forced Air Furnace
Thermostat
Control



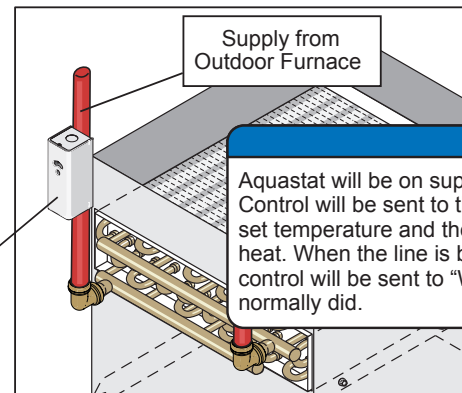
Forced Air Furnace
Plenum
Switch



Fan



Supply from
Outdoor Furnace



NOTE

Aquastat will be on supply line to the heat exchanger. Control will be sent to the “G” when the line is above set temperature and the fan will turn on with a call for heat. When the line is below set temperature, the control will be sent to “W” and the furnace will fire as it normally did.

Strap-on
Aquastat
(p/n 0020-377)

