

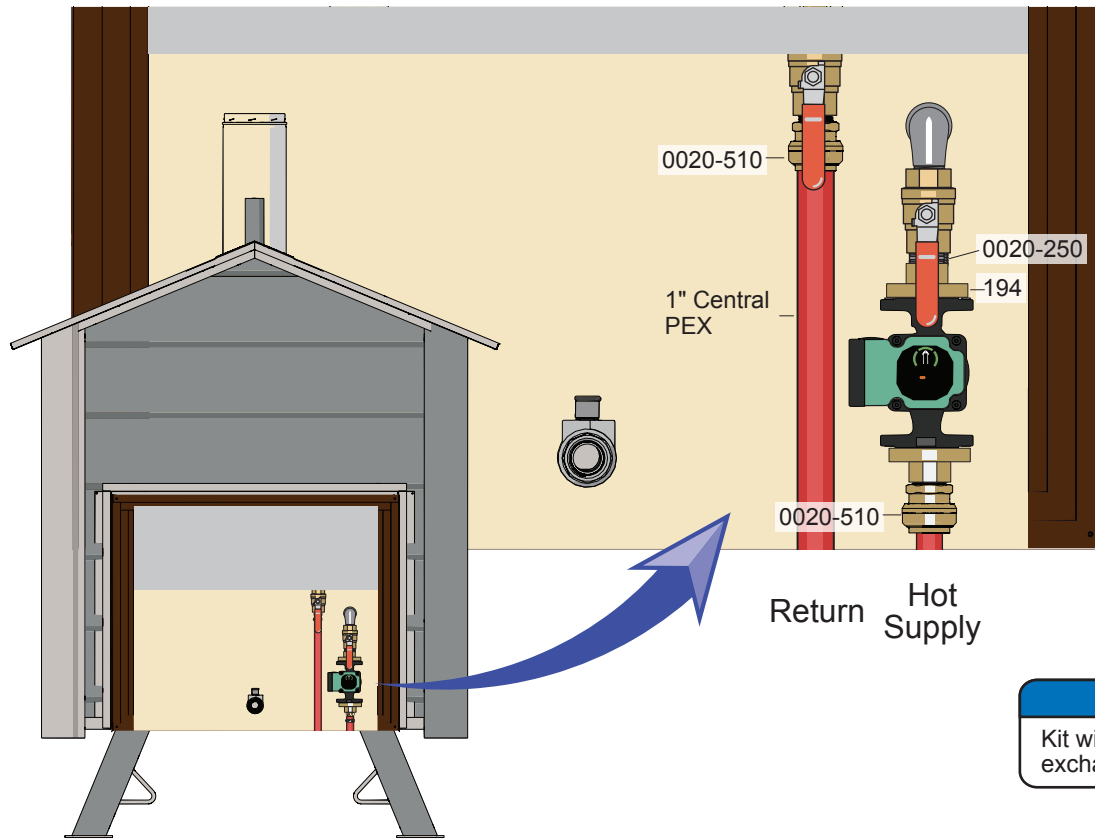
# Forced Air Furnace Heat Exchanger Fittings Kit

(p/n 2500705)

## Kit Contents:

QTY.	PART#	DESCRIPTION
2	0020-513	Sharkbite Elbow, 90°, 1"
2	0020-510*	Sharkbite Male Adapter, 1" MPT
1	0020-250*	2" Black Nipple, 1" NPT
1	194*	Pump Flange Kit, 1" FIP

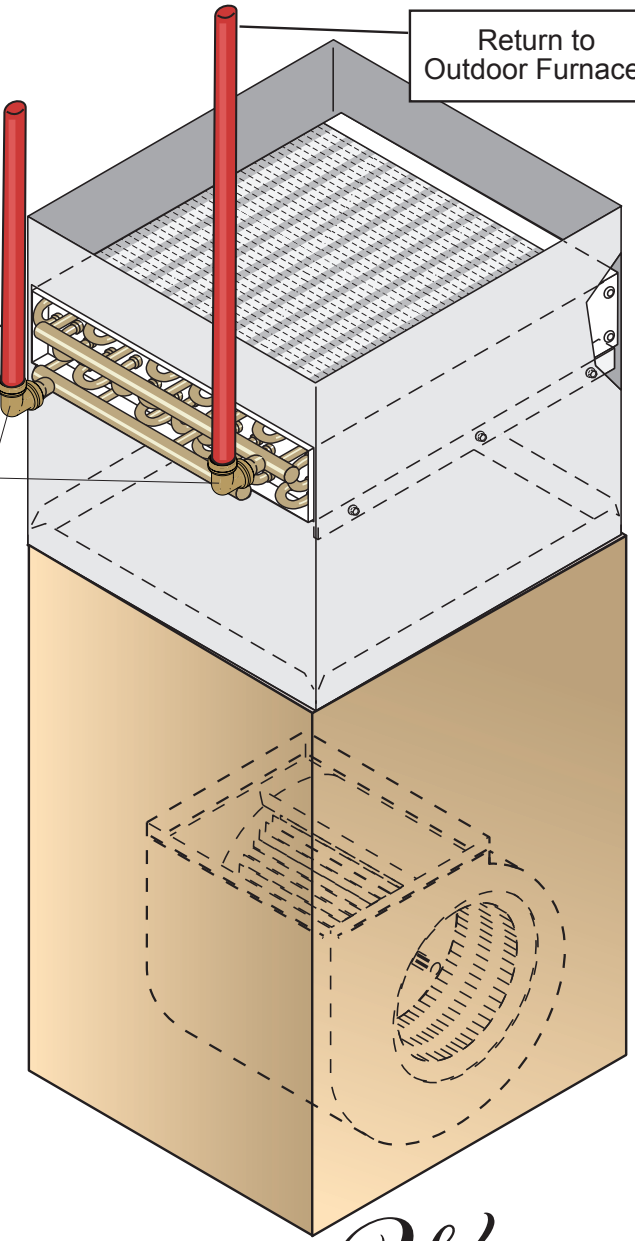
\*Components installed on outdoor furnace



Hot Supply from  
Outdoor Furnace

0020-513

Return to  
Outdoor Furnace



### NOTE

Kit will work with several different heat exchangers with 1" copper sweat outlets.

**WOOD  
MASTER**

p/n 9000955 • Rev. A