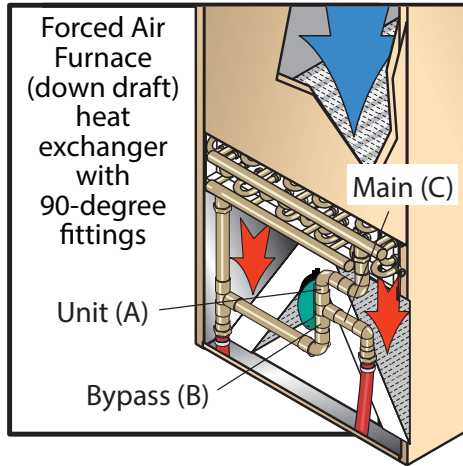
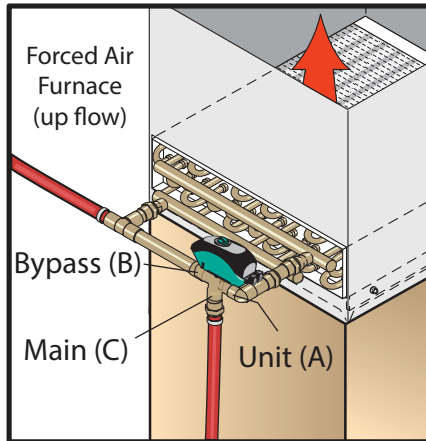
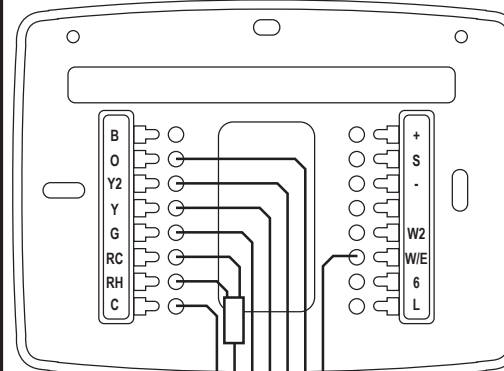


Three Stage with Heat Pump

Stage One (Outdoor Furnace), Stage Two (Heat Pump) and Stage Three (LP Gas, Natural Gas, Oil or Electric Furnace)

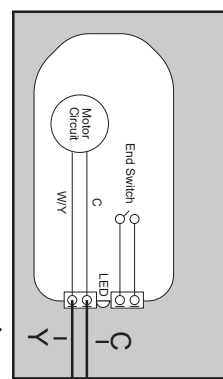
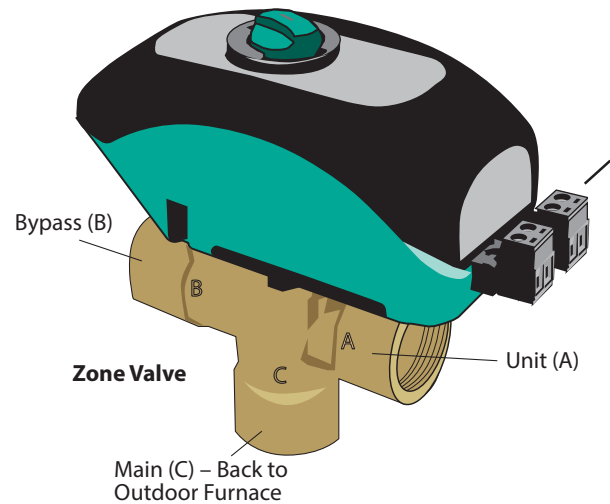


24-V Multi-stage Thermostat (p/n 587)

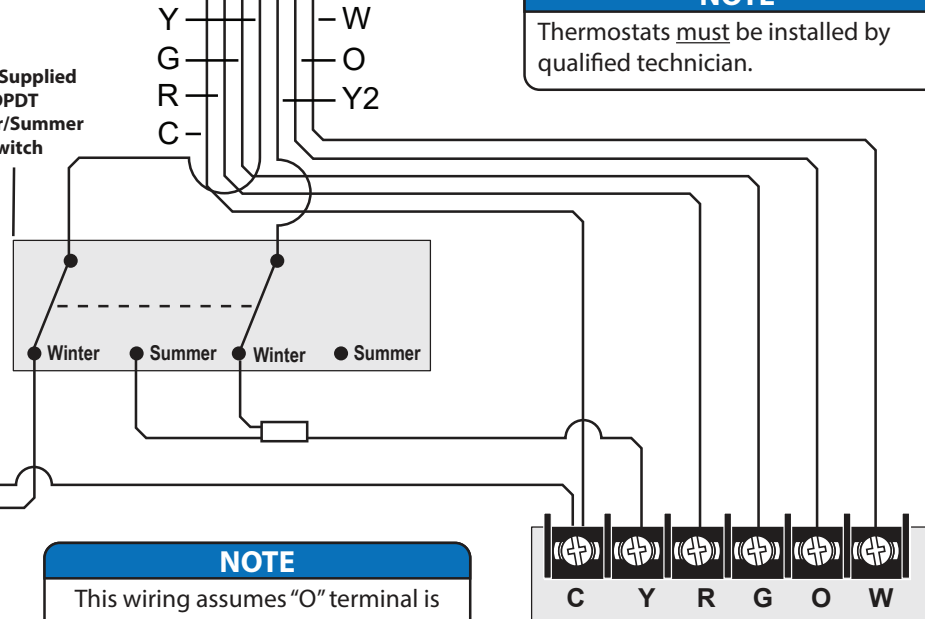


NOTE
See thermostat manual for setup changes. The following items must be changed:
MENU 1. HP2 - Allows 3 stage operation.
MENU 2. ELE - Thermostat turns fan ON during call for heat.

NOTE
Thermostats must be installed by qualified technician.



Field Supplied DPDT Winter/Summer Switch



NOTE
This wiring assumes "O" terminal is energized during cooling mode.

For illustration purposes only:
• Location of thermostat may vary.

Furnace Terminal Block

