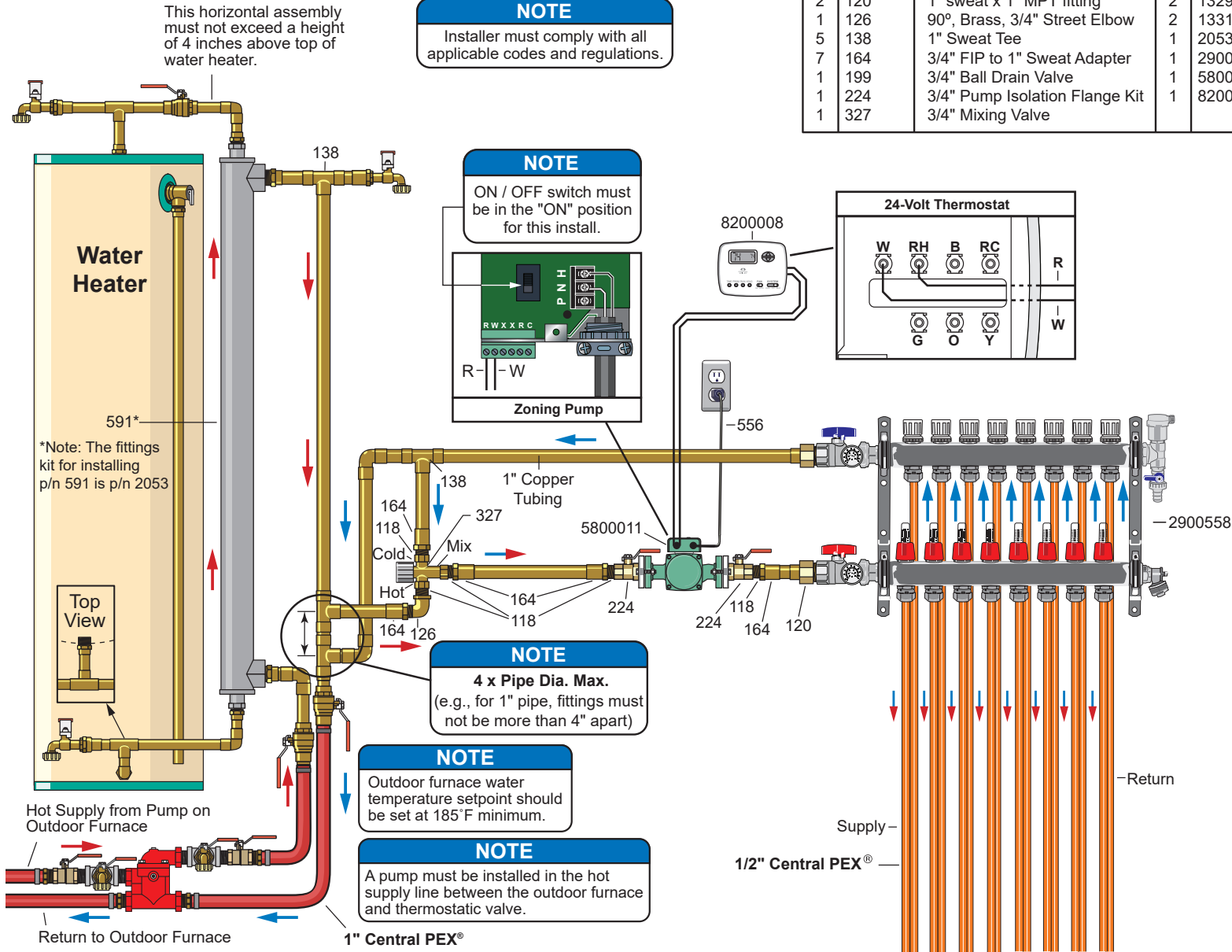


# Radiant Heat Single Zone

Qty	p/n	Description	Qty	p/n	Description
1	103	90°, 1" Street Elbow	1	556	Power Supply Cord, 32"
5	118	3/4" Close Nipple	1	591	Water-to-Water Heat Exchanger
2	120	1" sweat x 1" MPT fitting	2	1329	Three Branch Valved Manifold
1	126	90°, Brass, 3/4" Street Elbow	2	1331	1" x 1", Sweat to PEX Adapter
5	138	1" Sweat Tee	1	2053	W-to-W Heat Exchr Fittings Kit
7	164	3/4" FIP to 1" Sweat Adapter	1	2900558	Manifold Kit, 8-Loop
1	199	3/4" Ball Drain Valve	1	5800011	007 Zoning Pump
1	224	3/4" Pump Isolation Flange Kit	1	8200008	24-V Wall Thermostat
1	327	3/4" Mixing Valve			



- Installation uses approximately 10' of 1" copper.
- The amount of 1/2" PEX will vary depending on installation.