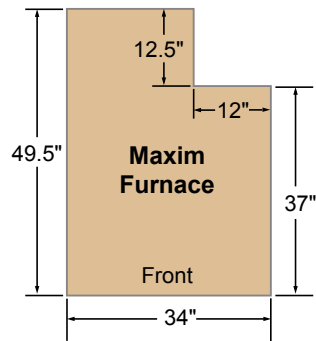
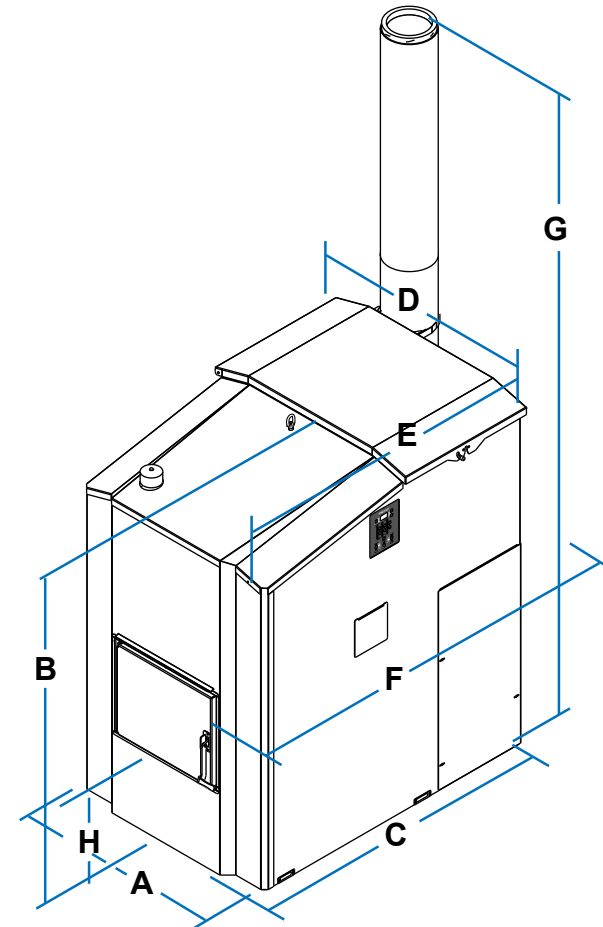
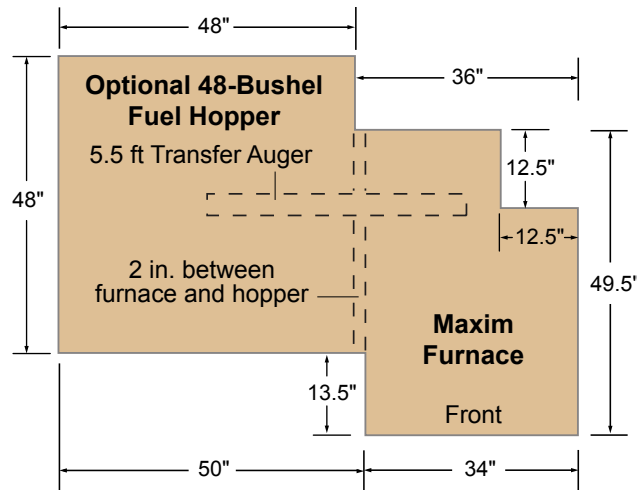


Maxim M255 Furnace Base Dimensions

*Furnace Base Dimensions
Shown without optional hopper.*



*Optional 2,440 lb
Hopper with Furnace Base Dimensions*



CAUTION

Do not use any combustible materials for the foundation.

NOTE

Furnace must be installed on a noncombustible surface or foundation that incorporates an enclosure that will prevent supply and return lines from possible exposure to sunlight, fire, or physical damage that may be caused by an occurrence outside the furnace enclosure.

Maxim M255 Measurements

| | A | B | C | D | E | F | G | H |
|-----|----|-----|------|------|-----|-------|---------|------|
| in. | 34 | 57 | 49.5 | 36 | 48 | 59.5* | 117.5** | 14.5 |
| cm | 86 | 145 | 126 | 91.5 | 122 | 151* | 298.5** | 37 |

* Measurement (F) is from firebox door to chimney inspection cover.

** Measurement (G) includes two 4 ft. chimney sections.

